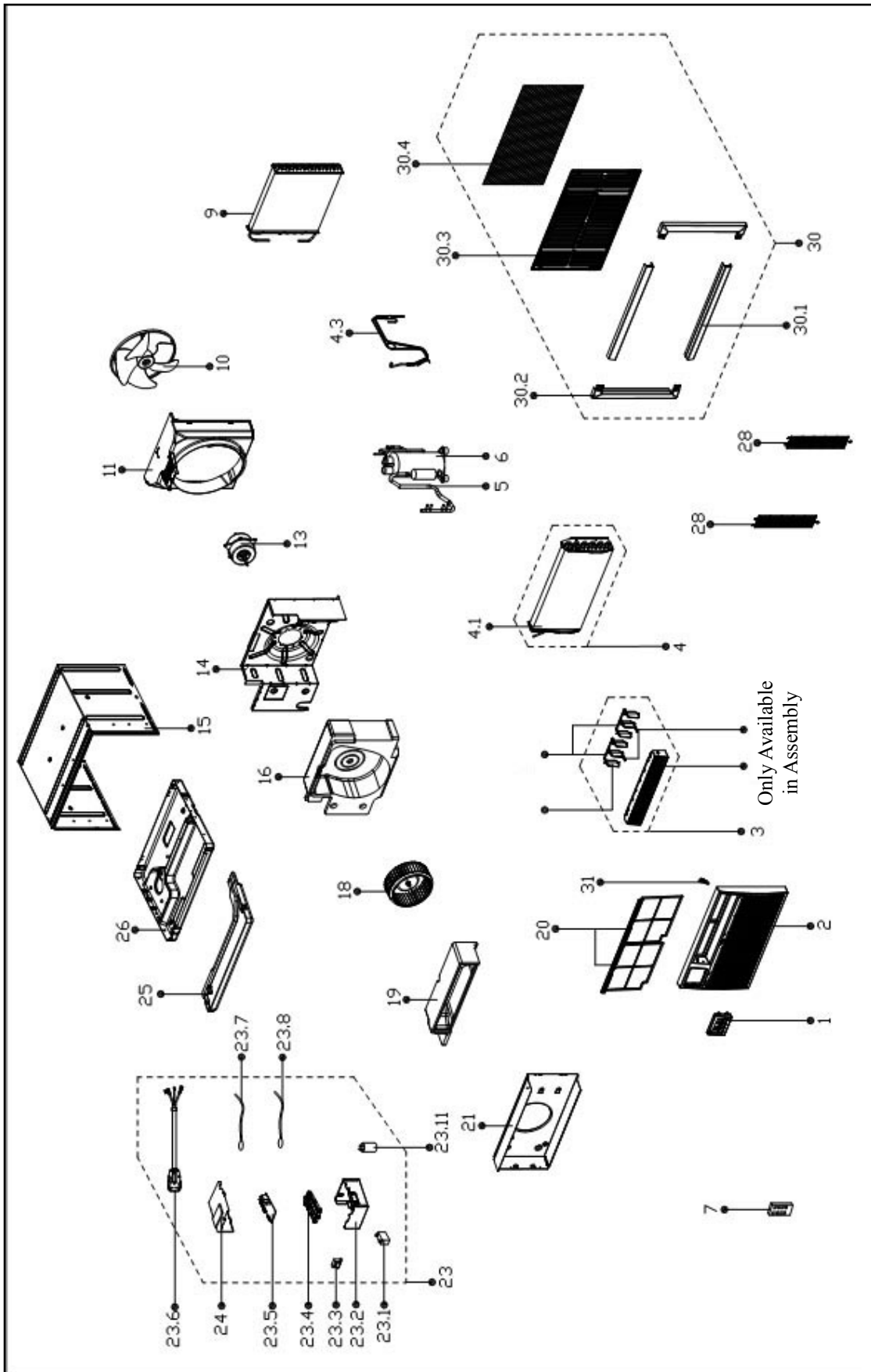




## PARTS LIST

# **Room Air Conditioner with R-410A: BG-103P**

# EXPLODED VIEW



## REPLACEMENT PARTS

Location	Part Name	Quantity	Part No.
1	Display box assembly	1	17220300A04743
2	Front panel	1	12120300A06299
3	Air outlet assembly	1	12120300A06796
4	Evaporator coil assembly	1	15820300001428
4.1	Evaporator	1	15820300000908
4.3	Capillary assembly	1	15120300003942
5	Discharge pipe assembly	1	15120300001089
6	Compressor	1	11103010002990
7	Remote controller	1	17317000A06156
8	Super-cooling pipe	1	15120300003062
9	Condenser assembly	1	15820300000585
10	Axial flow fan	1	12100105000053
11	Rear separating	1	12120300000548
13	Asynchronous motor	1	11002012007041
14	Front separating board	1	12220300000568
15	Cabinet	1	12220300000788
16	Rear volute shell	1	12820300000032
18	Centrifugal fan	1	12100103000063
19	Front volute shell	1	12820300000075
20	Air filter	1	12120300A06298
21	Box for Electronic heater	1	12220300001094
23	Electronic control box assembly	1	17220300001570
23.1	Capacitor of fan motor	1	17400101000053
23.2	Electronic control box	1	12220300000467
23.3	Transformer	1	11203103000249
23.4	Bracket of main control board	1	12120300000521
23.5	Main control board assembly	1	17120300001833
23.6	Power cord	1	17401202000297
23.7	Pipe temperature sensor assembly	1	11201007000126
23.8	Ambient temperature sensor assembly	1	11201007000003
23.11	Capacitor of compressor	1	17400103000007
24	Cover of electronic control box	1	12220300001092
25	Condenser water tray	1	12820300000059
26	Chassis assembly	1	12220300000420
28	Grille	1	12220300001103
28	Grille	1	12220300001104
30	Installation accessory	1	12020300A01144
30.1	Up and down shutter frame	2	12120300001338
30.2	Left and right shutter frame	2	12120300001374
30.3	Rear grille	1	12920300000001
30.4	Plastic net	1	12120300001299
31	Filter guide	1	12120300001302

---

Due to ongoing product improvements, specifications and dimensions are subject to change and correction without notice or incurring obligations. Determining the application and suitability for use of any product is the responsibility of the installer. Additionally, the installer is responsible for verifying dimensional data on the actual product prior to beginning any installation preparations.

Incentive and rebate programs have precise requirements as to product performance and certification. All products meet applicable regulations in effect on date of manufacture; however, certifications are not necessarily granted for the life of a product. Therefore, it is the responsibility of the applicant to determine whether a specific model qualifies for these incentive/rebate programs.

*Comfort-Aire*<sup>®</sup>

1900 Wellworth Ave., Jackson MI 49203 • Ph. 517-787-2100 • [www.comfort-aire.com](http://www.comfort-aire.com)



[www.marsdelivers.com](http://www.marsdelivers.com) • [www.heatcontroller.com](http://www.heatcontroller.com)